

# V515E V518E V521E V525E V530E

## Solar-optimised electric hot water cylinder



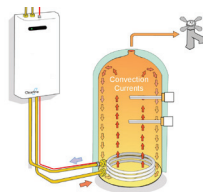
- Designed by solar experts at Viridian to ensure solar and immersion heaters work in harmony
- Large solar dedicated volume and high performance environmentally friendly insulation maximise solar energy gains
- Mains pressure hot water for powerful showers and fast-filling baths
- Duplex stainless steel for long life

### Specification

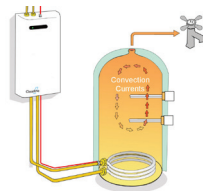
Model		V515E	V518E	V521E	V525E	V530E
Size	litres	150	180	210	250	300
Dedicated Solar Volume (Vs)	litres	75	90	105	110	125
Primary Heated Volume (Vb)	litres	75	90	105	140	175
Heat Loss (whole cylinder)	kWh/24h	1.41	1.53	1.80	2.15	2.28
Heat Loss (Vb only)	kWh/24h	0.71	0.77	0.90	1.20	1.33
Heat Up Time	minutes	85	93	119	160	199
Weight (empty)	kg	32	42	45	51	60
Weight (full)	kg	182	222	255	301	360
Height	mm	1,102	1,290	1,478	1,782	2,041
Diameter	mm	545	545	545	545	545
Solar Coil Volume	litres	2.0	2.6	3.6	3.8	3.8
Solar Coil Surface Area	m <sup>2</sup>	0.41	0.54	0.76	0.79	0.79
Maximum Water Supply Pressure	bar	16				
Maximum Coil Pressure	bar	3				
Operating pressure	bar	3				
Expansion Valve Setting	bar	6				
T&P Valve Setting	°C/bar	90/7				
Expansion Vessel Charge	bar	3				
Immersion Heater Rating	kW	3				
Immersion Heater Length	mm	400				
Global Warming Potential	CO <sub>2</sub> equiv	1				
Ozone Depletion Potential		Zero				



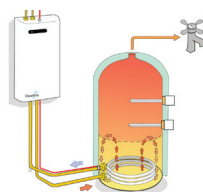
### How it Works



The cylinder is heated by convection - rising currents of warmer water from around the heat exchanger coil or immersion heater. Solar heat input is from a coil at the base of the cylinder, so in theory it can heat the whole volume of the cylinder.



The heat input from the immersion heaters is located above the solar input, and heats water at the top of the cylinder. When hot water is drawn from the cylinder, it is taken from the top and cold water flows in at the bottom.



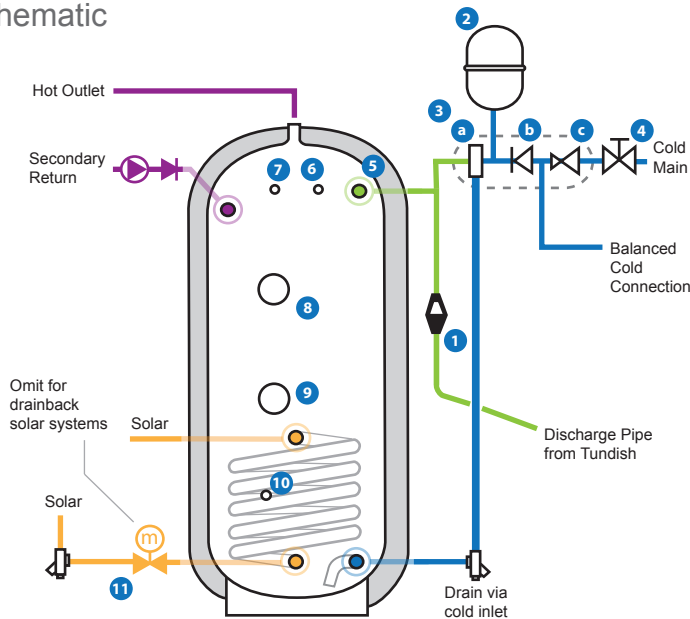
If the immersion heaters have already heated the top part of the cylinder, the amount of solar energy that can be stored is reduced, significantly lowering solar energy yields. Symphony cylinders have the immersion heaters higher up the cylinder to improve solar energy yields.

# V515E V518E V521E V525E V530E

## Solar-optimised electric hot water cylinder



### Schematic



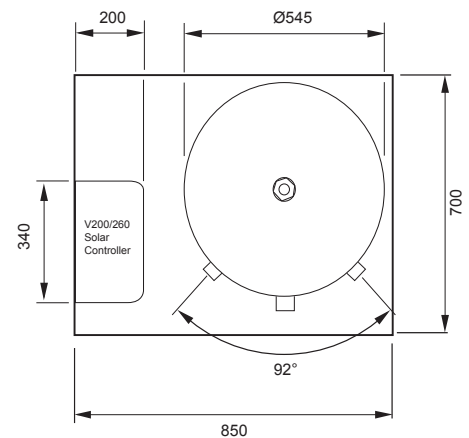
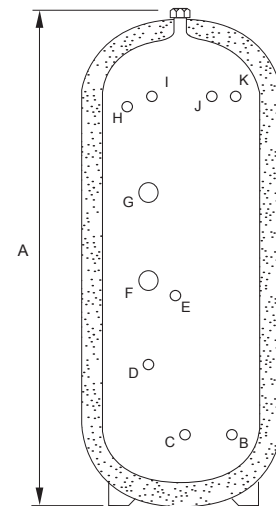
No.	Description	In Kit
1	Tundish	✓
2	Expansion Vessel	✓
3	Inlet Control Set:	✓
a	Expansion relief valve	✓
b	Check valve	✓
c	Pressure reducing valve with strainer	✓
4	Isolating valve	
5	Temperature and pressure relief valve	✓
6	Temperature Sensor Pocket	✓
7	High Limit Thermostat (for solar)	✓
8	Upper Electrical Immersion Heater	✓
9	Lower Electrical Immersion Heater	✓
10	Sensor Pocket (solar controller)	✓
11	2 Port Motorised Valve	✓
	Wiring Centre (not shown)	✓

Installation Schematic. See the Symphony Installation, Maintenance and User Manual for further information

### Dimensions

		V515E	V518E	V521E	V525E	V530E	Fitting
A	Height	1,102	1,290	1,478	1,782	2,041	
B	Cold Feed	192	192	192	192	192	22mm compression
C	Solar Coil	192	192	192	192	192	22mm compression
D	Sensor Pocket	317	342	432	452	452	Flared end pipe
E	Solar Coil	442	492	672	712	712	22mm compression
F	Lower Immersion	514	590	684	715	806	1 3/4" Thread
G	Upper Immersion	590	778	966	1,216	1,529	1 3/4" Thread
H	Secondary Return	842	998	1,249	1,409	1,609	22mm compression
I	Pocket	890	1,078	1,266	1,516	1,829	Flared end pipe
J	Pocket	890	1,078	1,266	1,516	1,829	Flared end pipe
K	T&P Relief	890	1,078	1,266	1,516	1,829	Factory fitted

Connection positions are in mm measured from the bottom of the cylinder.



Cylinder cupboard size. Viridian solar controller shown

### Also available



Clearline  
Solar heating panels



Clearline PV  
Photovoltaic solar panels



Clearline Aura  
Wireless solar energy display

Viridian Solar, Atlas Building, 68 Stirling Way,  
Papworth, Cambridge CB23 3GY

01480 831 501  
www.viridiansolar.co.uk

